

Instructions for installation of 3445 Discrete Wire Block

General:

The 3445 Discrete Wire Block is designed to be mounted directly onto the 3316 Universal Press base for use during discrete wire or controlled pitch flat cable operations. With

proper accessories, it provides a means of holding wire/cable in proper alignment for mass termination to Scotchflex insulation displacement connectors.

Installation:

The Discrete Wire Block can be positioned for either left-to-right (Figure 1) or right-to-left assembly, whichever position is more convenient for the operator. The Discrete Wire Block is placed on the press base, and its two slotted, captive screws are turned down tightly with a screwdriver.

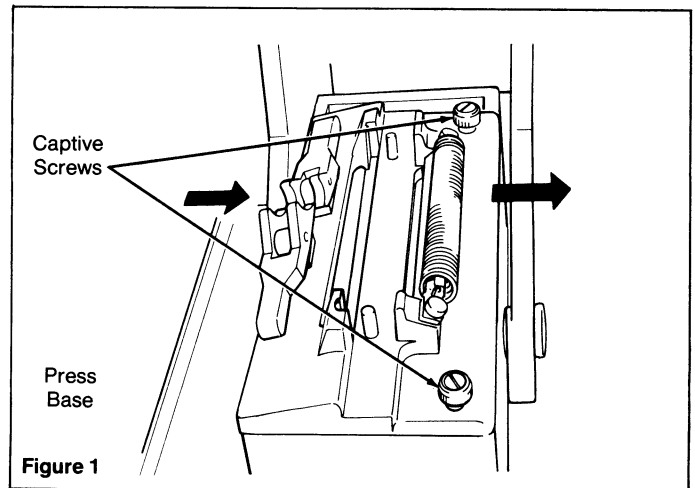


Figure 1

Adjustment:

In order to align components properly for the particular type of wire/cable and connectors being used, the following adjustments should be made:

1. Cable Clamps for Round-Jacketed Cable or Discrete Wire Bundle

The cable clamps should be positioned on the Discrete Wire Block so that they grasp the wire bundle or cable securely, in proper alignment with the connector (and junction shell, if one is being used). This is done by loosening the two T-knobs under the block and moving the pair of clamps right or left to the desired position. (Figure 2)

Insert the wire bundle or jacketed cable between the clamps and adjust the opening so that when the clamp wings are raised, the clamp fingers will grasp the bundle firmly enough to resist a considerable pull. (Figure 3)

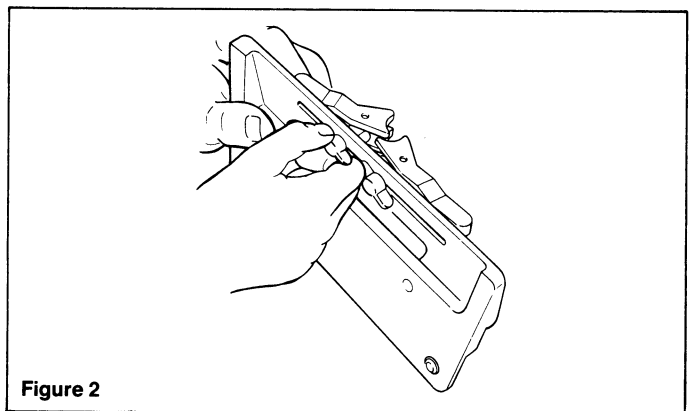


Figure 2

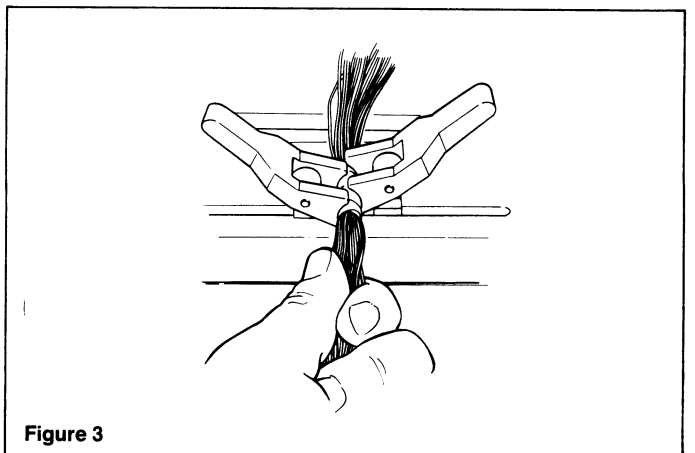
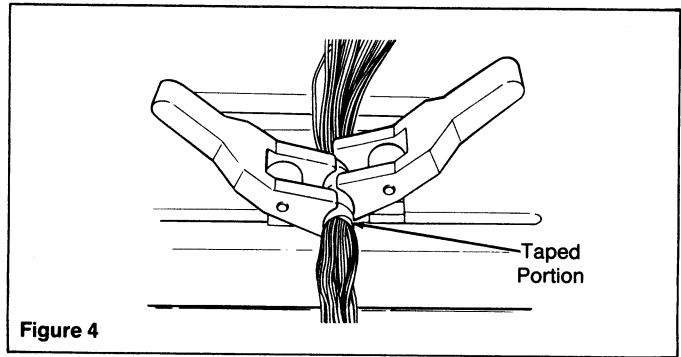


Figure 3

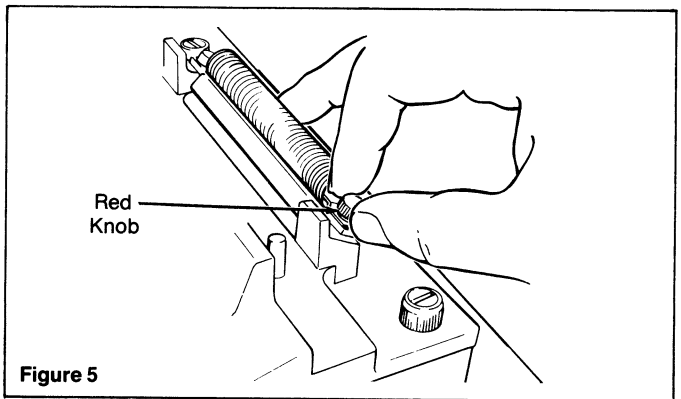
NOTE: When using bundles of individual discrete wires, be sure that the portion being grasped by the clamps is taped to protect the insulation and aid in retaining the wires. (Figure 4)

When the clamps are aligned satisfactorily, retighten the T-knobs.



2. Wire Retainer Assembly

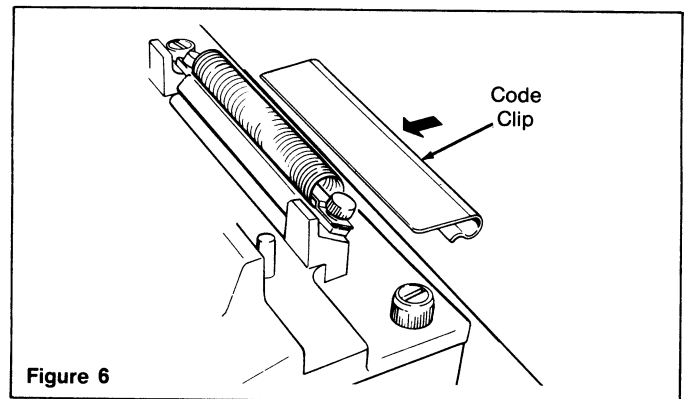
The wire retainer assembly should be positioned with the desired wire gauge in the UP position (black for 26 & 28 gauge, brown for 24 gauge). Note that arrows point to the appropriate color for each gauge. To remove the assembly for this adjustment, loosen the red knobs at each end (Figure 5). Be sure to retighten them after choosing your wire gauge.



3. Code Clip (3M Part No. 3445-1000)

The code clip is a supplementary aid in wiring your connector. Specific codes can be written on this replaceable clip to provide the operator with a wire placement guide. Any code — numbers, colors, etc. — can be used to indicate proper wire positions. Insert as shown on Figure 6.

Two commonly used wire codes, NEMA and Telecommunications, are shown below:



Telecommunications (3459-1 Pair Splitter)

NEMA (3459-2 Pair Splitter)

Primary Colors (Pair Splitter)

white	red	black	yellow	violet
		blue		
		orange		
		green		
		brown		
		slate		

Secondary Colors (Code Clip)

Chart 1

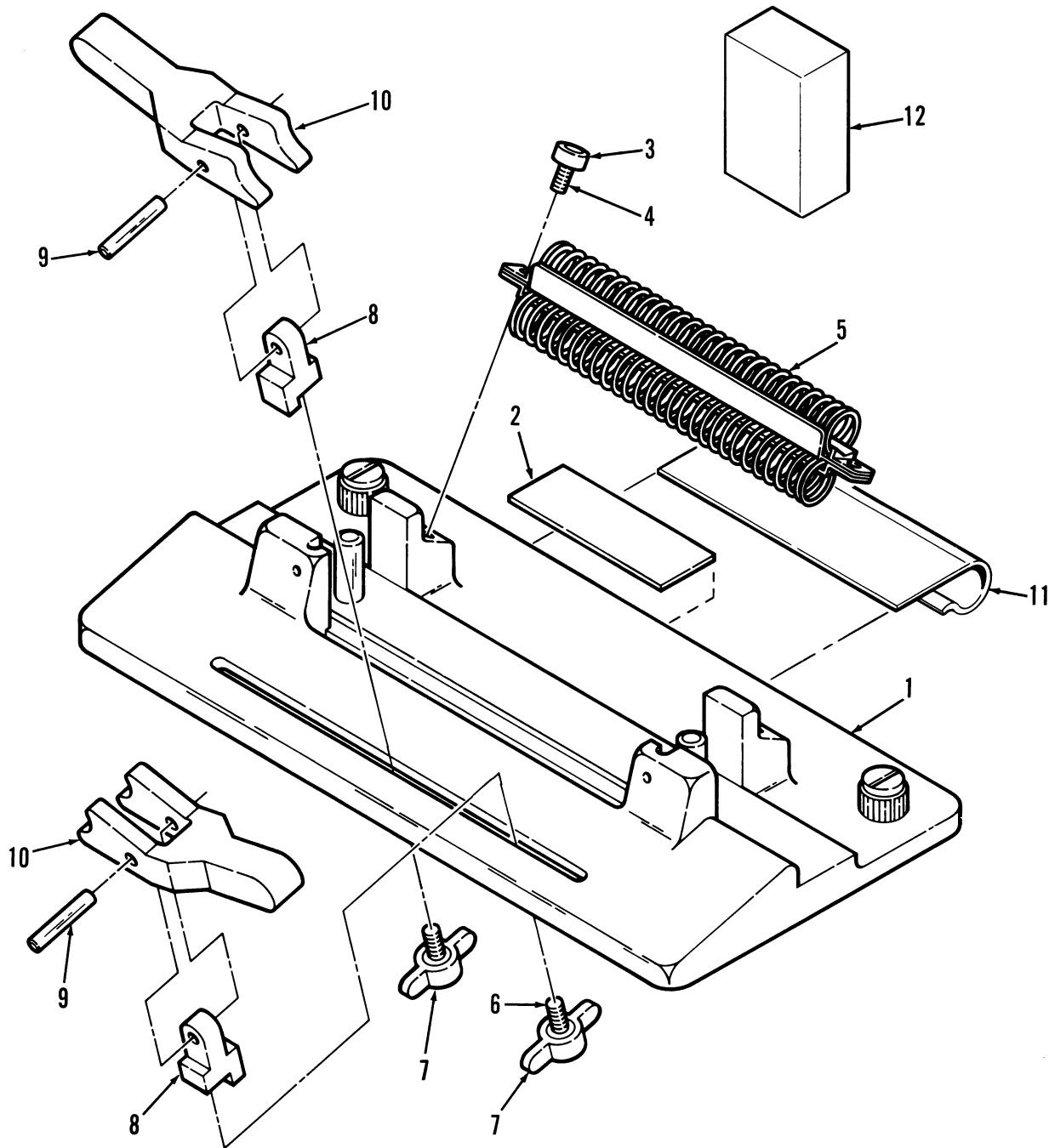
Secondary Colors (Code Clip)

Brown	Red	Orange	Yellow	Green	Blue	Violet	Gray	White
						Black		
						Brown		
						Red		
						Orange		
						Yellow		

Primary Colors (Pair Splitter)

Chart 2

The Discrete Wire Block is now ready for installation of the Connector Nest and Pair Splitter. Refer to Instruction Sheets for the particular connector nest and connector being assembled.



Item No.	Part Number	Description
1	78-8041-2602-3	CONNECTOR NEST ASSY.
2	78-8041-4379-6	#3445 LABEL
3	26-1004-1297-7	KNOB
4	18-3172-2515-1	SCREW, 6-32 x 5/16 Lg., S.H.C.
5	78-8041-4071-9	WIRE RETAINER ASSY.
6	78-7023-3280-3	SCREW, 10-32 x 3/8 Lg., S.H.C.
7	26-1004-1296-9	T-KNOB
8	78-8041-2606-4	PIVOT SLIDE
9	26-1000-3281-7	DOWEL, 1/8 Dia. x 3/4 Lg.
10	78-8041-2605-6	CLAMP
11	78-8044-2072-3	CODE CLIP
12	78-8044-2043-4	GAUGE BLOCK, 1.750 Lg. x 1.400 W

Important Notice to Purchaser:

All statements, technical information and recommendations contained herein are based on tests we believe to be reliable, but the accuracy or completeness thereof is not guaranteed, and the following is made in lieu of all warranties expressed or implied:

Seller's and manufacturer's only obligation shall be to replace such quantity of the product proved to be defective. Neither seller nor manufacturer shall be liable for any injury, loss or damage, direct or consequential, arising out of the use or the inability to use the product. Before using, user shall determine the suitability of the product for his intended use, and user assumes all risk and liability whatsoever in connection therewith.

No statement or recommendation not contained herein shall have any force or effect unless in an agreement signed by officers of seller and manufacturer.